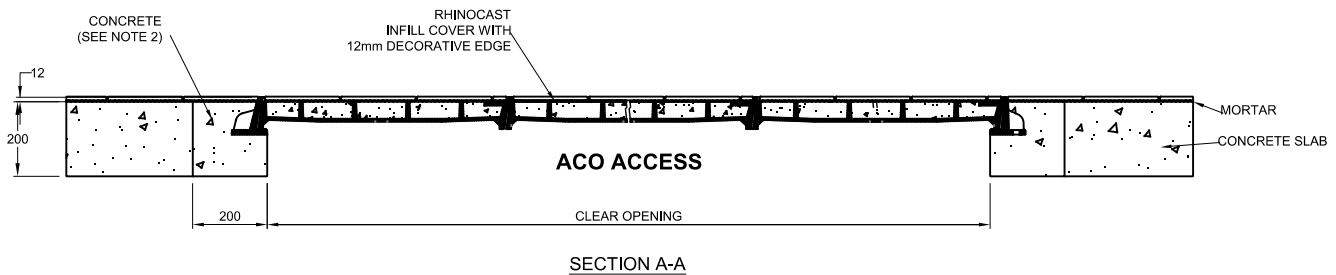
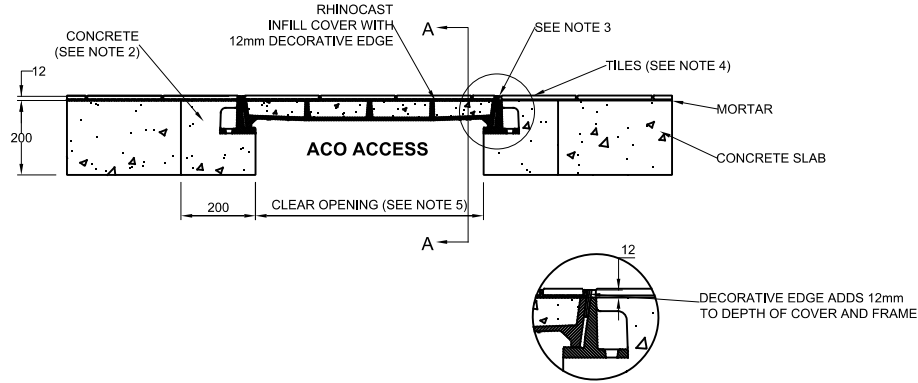


ACO ACCESS	INSTALLATION DRAWING	
DRWG# XATR-DT12	Rhinocast Trench Run Infill Cover	
www.acoaus.com.au	Class D240: Tiles with 12mm Decorative Edge	



- NOTES:**
1. Specific site conditions may require an increase in these dimensions or reinforcement. It is the customer's responsibility to ensure the concrete encasement is designed for the application. *Engineering advice may be required.*
 2. A minimum concrete strength of 32MPa is recommended. The concrete should be vibrated to eliminate air pockets.
 3. The finished level of the tiles must be at minimum flush with the top of the decorative edge.
 4. The tile course adjacent to the decorative edge must be fully bonded to the concrete surround.
 5. Decorative edged covers will add 12mm to the clear opening of a standard cover, for each additional cover add 66mm to the length. For example, 3-part cover using 600x600mm standard cover with a decorative edge will have a clear opening of 612x1944mm.
 6. Refer to ACO's latest installation instructions for complete details.

ACO ACCESS	SPECIFICATION CLAUSE	ACO Pty Ltd 134-140 Old Bathurst Road Emu Plains NSW 2750 Tel: 1300 765 226 Tel: +61 2 4747 4000 e: technical@acoaus.com.au
DRWG# XATR-DT12	Rhinocast Trench Run Infill Cover	
www.acoaus.com.au	With 12mm Decorative Edge	

Trench run access covers & frames are to be ACO Access Rhinocast Infill manufactured from ductile iron with minimum tensile strength of 600MPa and minimum elongation of 10% to conform to AS 3996. The cover systems shall satisfy AS 3996 Load Class D 240kN.

A 12mm decorative brass / stainless steel* edge is fixed to the cover
Standard Locking bolts (SL) / security rated Security Bolts (SB)* shall be used to secure the Cover**
Tile / concrete infill covers to be filled in accordance with AS 3996**

* Please delete where appropriate.
** Option