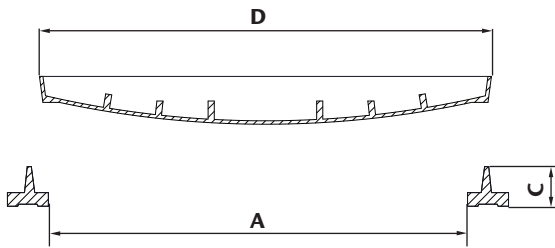
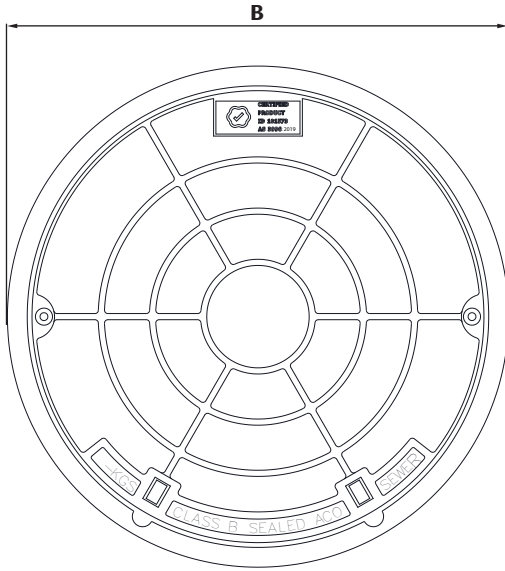
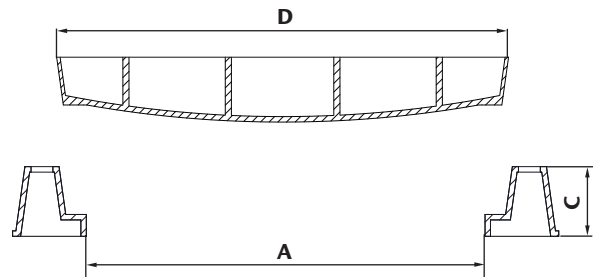
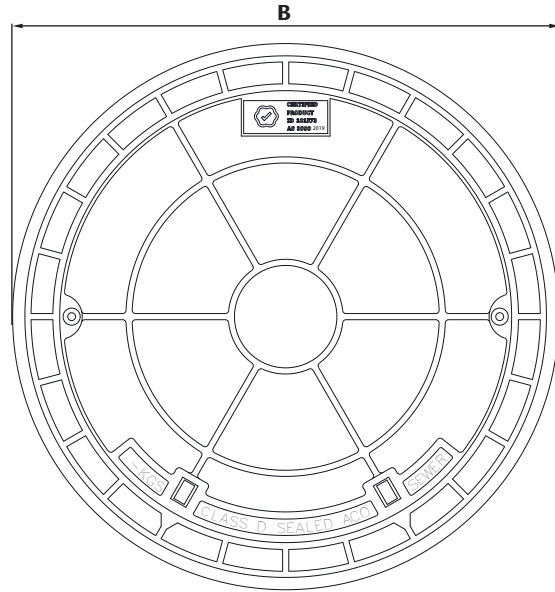


Infill cover with T-frames



Type 600RB shown

Infill cover with cellular frames



Type 600RD shown

Product Table

| Type | Part No. | Load Class | Clear Opening Diameter (A) | Overall Diameter (B) | Overall Depth (C) | Cover Diameter (D) | Cover Weight (kg) | Overall Weight (kg) |
|-------|----------|------------|----------------------------|----------------------|-------------------|--------------------|-------------------|---------------------|
| 600RB | 85107 | B | 615 | 735 | 58 | 664 | 30 | 55 |
| 600RD | 89109 | D | 615 | 830 | 102 | 694 | 51 | 98 |

Notes:

1. All dimensions in the table are nominal and are shown in millimeters.
2. Decorative edging - not available with circular covers.
3. Bolts are standard for each cover, specify Standard Locking bolts (SL) or security rated Security Bolts (SB) after part no.
4. If structural locking bolts are required, contact ACO.

ACO ACCESS

Rhinocast - Single part circular infill iron access cover/frames

Accessories

| Part No. | Description | Weight (kg) |
|----------|---|-------------|
| 84654 | Rhinocast short handle lifters (pair) | 3.60 |
| 84854 | Rhinocast long handle lifters (pair) | 8.10 |
| 73131 | Sealing grease | 4.40 |
| 84622 | Rectangular red caps (long) for lifting key holes | - |
| 84626 | Circular red caps for locking bolt holes | - |

Specifications

General

The circular access covers and frames shall be ACO Rhinocast circular infill access covers/frames as manufactured by ACO Pty Ltd. or equal approved.

Materials

The Rhinocast circular infill access covers/frames shall be manufactured from ductile iron (spheroidal graphite cast iron) to the requirements of AS 3996 with:

Minimum tensile strength: 600MPa
Minimum elongation: 3%

The cover and frames shall be coated with a black water based paint for short term protection only.

Cover

The Rhinocast circular infill covers shall have the following features to AS 3996 requirements:

Load Class
Watertight & Gas-tight
Internal Pressure Resistance
Permanent Markings
Lifting Keyholes

Rhinocast covers are locked down as standard with two stainless steel M12x40/ M12x60* hex head bolts for Load Class B/D*.

B/D*
Sealed
IPD

Optional, specify if required:

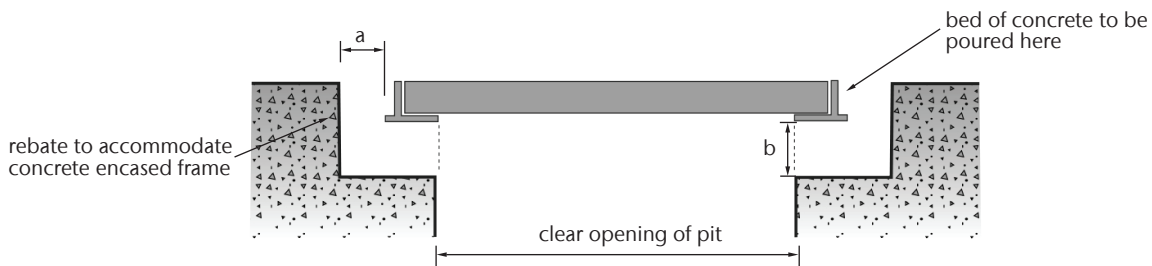
For a more secure cover, specify 'SB' after part number for tamper resistant security bolts.

Installation

The access cover shall be installed in accordance with the manufacturer's installation instructions and recommendations.

* delete as applicable

Rebate Dimensions



Due to the varying frame dimensions for different covers, dimensions shown indicate the minimum amount of concrete required around the frame.

Concrete of a minimum strength of 32MPa and minimum aggregate of 12mm is recommended.

Full details at www.acoaccess.com.au/product-support/installation-guidance/



| Load Class | a | b |
|------------|----|----|
| B | 30 | 30 |
| D | 50 | 50 |

ACO Pty Ltd
Australia

Ph: 1300 765 226
www.acoaus.com.au



© July, 2024 ACO Pty Ltd. All reasonable care has been taken in compiling the information in this document. All recommendations and suggestions on the use of ACO products are made without guarantee since the conditions of use are beyond the control of the company. It is the customer's responsibility to ensure that each product is fit for its intended purpose and that the actual conditions are suitable. ACO Pty Ltd. pursues a policy of continuous product development and reserves the right to amend specifications without notice.